

FlowCal™ Compact Automatic Balancing Valve with polymer cartridge

© Copyright 2018 Caleffi

127 Series



Function

The FlowCal™ automatic balancing valve maintains a constant fixed flow rate within varying system differential pressure ranges. The 127 series utilize an exclusive, interchangeable flow cartridge, made of anti-scale, low noise polymer and a compact low-lead brass valve body for use in cooling, heating and domestic water systems.

Product range

127 Series Compact Automatic Balancing Valve with polymer cartridge, 1/2", 3/4", 1"

Technical characteristics

Material: Body: low-lead brass (<0.25% Lead content)
FlowCal™ flow cartridge: anti-scale polymer
Spring: stainless steel
Seals: peroxide-cured EPDM
Performance: Medium: water, glycol solutions
Max. percentage of glycol: 50%
Max. working pressure: 232 psi (16 bar)
Working temperature range: 32-212°F (0-100°C)

Connections: 1/2", 3/4" and 1" NPT, Sweat, Press, PEX crimp

This valve is certified to NSF/ANSI 372-2011, low lead laws and listed by ICC-ES, file PMG-1360.



SAFETY INSTRUCTION

This safety alert symbol will be used in this manual to draw attention to safety related instructions. When used, the safety alert symbol means **ATTENTION! BECOME ALERT! YOUR SAFETY IS INVOLVED! FAILURE TO FOLLOW THESE INSTRUCTIONS MAY RESULT IN A SAFETY HAZARD.**



CAUTION: All work must be performed by qualified personnel trained in the proper application, installation, and maintenance of systems in accordance with all applicable codes and ordinances.



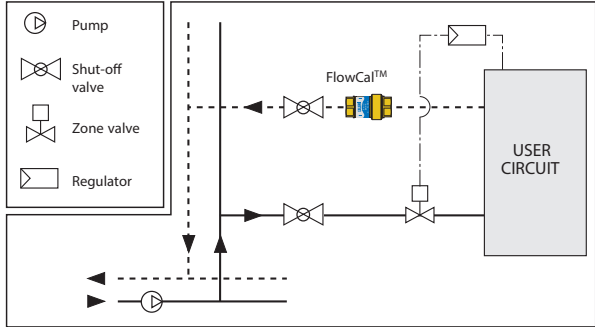
CAUTION: Over-tightening and breakage can occur with the use of Teflon® pipe joint compounds. Teflon® provides lubricity so that care must be exercised not to over-tighten joints. Failure to follow these instructions could result in property damage and /or personal injury.



WARNING: System fluids are under pressure or temperature can be hazardous. Be sure the pressure has been reduced to zero and the system temperature is below 100°F (38°C). Failure to follow these instructions could result in property damage and/or personal injury.

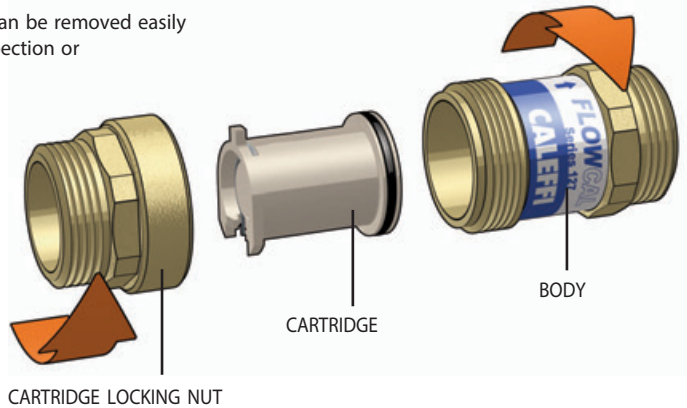
Installation

Install the FlowCal™ automatic balancing valves on the circuit return pipe with flow direction arrows indicating proper flow direction. It is important to allow easy access to the FlowCal™ for inspection and maintenance.



FlowCal™ cartridge assembly and disassembly

The internal flow cartridge can be removed easily from the valve body for inspection or replacement by unscrewing the cartridge locking nut.



CAUTION: If the FlowCal™ valve is not installed, commissioned and maintained properly, according to the instructions contained in this manual, it may not operate correctly and may endanger the user.



CAUTION: Make sure that all the connecting pipework is water tight.



WARNING: This product can expose you to chemicals including lead, which is known to the State of California to cause cancer and birth defects or other reproductive harm. For more information go to www.P65Warnings.ca.gov.



Installation Tip

CALEFFI
Hydronic Solutions

6-14-18

Caleffi North America, Inc.
3883 West Milwaukee Road
Milwaukee, WI 53208
T: 414.238.2360 F: 414.238.2366